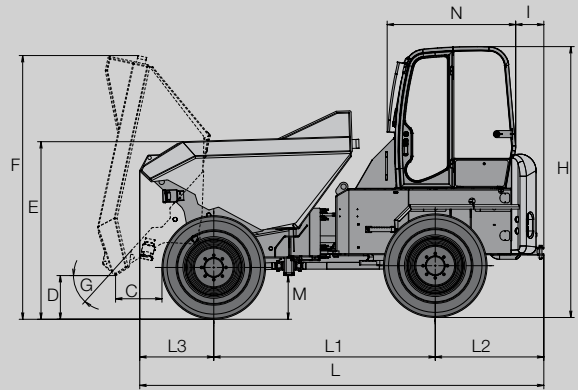
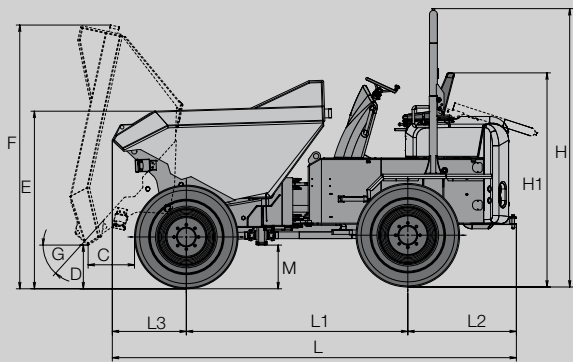


Load carriers

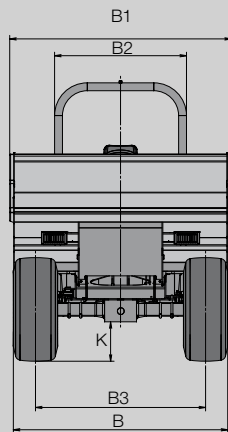
Wacker Neuson All-Wheel Dumpers
9001 • 10001+



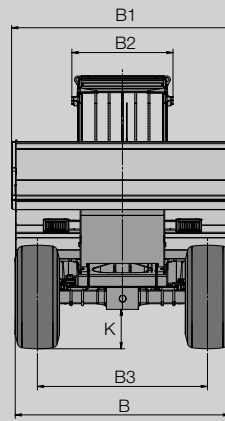
**WACKER
NEUSON**



9001

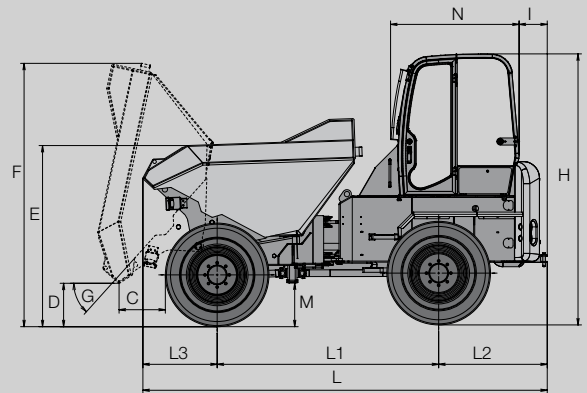
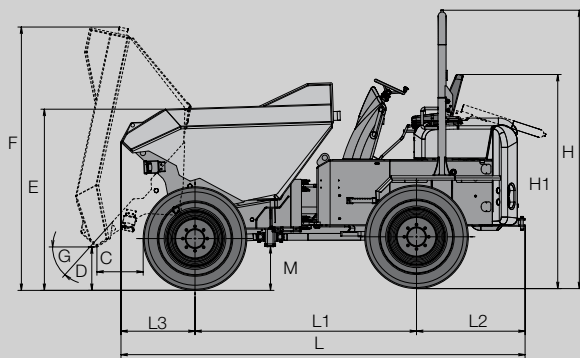


9001 cab

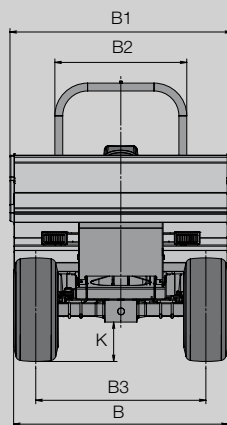


DIMENSIONS

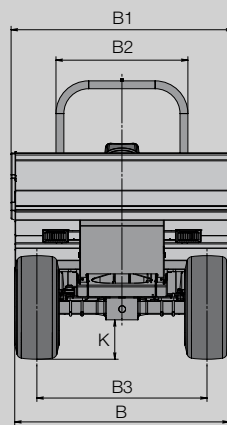
	9001	9001 (cab)
B	2,420 mm	2,420 mm
B1 / B2 / B3	2,500 / 1,490 / 1,920 mm	2,500 / 1,140 / 1,920 mm
C	510 mm	510 mm
D	480 mm	480 mm
E	2,000 mm	2,000 mm
F	2,970 mm	2,970 mm
G	48°	48°
H	3,140 mm	3,070 mm
H1	2,360 mm	-
I	-	320 mm
K	430 mm	430 mm
L	4,560 mm	4,560 mm
L1 / L2 / L3	2,500 / 1,225 / 835 mm	2,500 / 1,225 / 835 mm
M	470 mm	470 mm
N	-	1,450 mm



10001+




10001+ cab





DIMENSIONS


	10001+	10001+ (cab)
B	2,420 mm	2,420 mm
B1 / B2 / B3	2500 / 1490 / 1920 mm	2,500 / 1,140 / 1,920 mm
C	510 mm	510 mm
D	480 mm	480 mm
E	2,040 mm	2,040 mm
F	2,970 mm	2,970 mm
G	48°	48°
H	3,140 mm	3,070 mm
H1	2,360 mm	-
I	-	320 mm
K	430 mm	430 mm
L	4,560 mm	4,560 mm
L1 / L2 / L3	2,500 / 1,225 / 835 mm	2,500 / 1,225 / 8,35 mm
M	-	470 mm
N	-	1,450 mm

 OPERATIONAL DATA	9001	9001 (cab)	10001+	10001+ (cab)
Payload	9,000 kg	9,000 kg	10,010 kg	10,010 kg
Tare weight	4,800 kg	4,910 kg	4,800 kg	4,910 kg
Skip capacity levelled	3,850 l	3,850 l	4,000 l	4,000 l
Skip capacity heaped	4,700 l	4,700 l	4,850 l	4,850 l
Skip capacity Water levelling	2,250 l	2,250 l	2,250 l	2,250 l


 ENGINE				
Make/Type	Deutz TCD 2012 Turbo	Deutz TCD 2012 Turbo	Deutz TCD 2012 Turbo	Deutz TCD 2012 Turbo
Model	watercooled 4-cylinder turbo engine	watercooled 4-cylinder turbo engine	watercooled 4-cylinder turbo engine	watercooled 4-cylinder turbo engine
Power (Iso 3046/1)	88 kW (120 hp)	88 kW (120 hp)	88 kW (120 hp)	88 kW (120 hp)
Displacement	4,038 cm ³	4,038 cm ³	4,038 cm ³	4,038 cm ³
Operating speed	2,400 min ⁻¹	2,400 min ⁻¹	2,400 min ⁻¹	2,400 min ⁻¹
Exhaust emissions	ac. 97/68/EC, 3A	ac. 97/68/EC, 3A	ac. 97/68/EC, 3A	ac. 97/68/EC, 3A


 DRIVE CHARACTERISTICS				
Travel speed I / II / III / IV	0-4.5 / 0-7.0 / 0-14 / 0-27 kph			
Centre-pivot angle	+/- 33°	+/- 33°	+/- 33°	+/- 33°
Oscillation	+/-8.5°	+/- 8.5°	+/- 8.5°	+/- 8.5°
External turning radius	6,000 mm	6,000 mm	6,000 mm	6,000 mm
Gradeability	50 %	50 %	50 %	50 %

 DRIVE				
Drive	4-speed powershuttle torque converter, all-wheel drive, electr. drive direction selection			
Steering	hydrostatic articulated frame steering			
Tyres	500/60-22.5 Tractor profile	500/60-22.5 Tractor profile	500/60-22.5 Tractor profile	500/60-22.5 Tractor profile
Service brake	Multi-disc brakes on both axles, hydraulically operated via footpedal			
Parking brake	via disc brake on driveshaft for front and rear axles			

 HYDRAULIC SYSTEM				
Drive pump	Gear pump	Gear pump	Gear pump	Gear pump
Flow rate	55 l/min	55 l/min	55 l/min	55 l/min
Operating pressure	220 bar	220 bar	220 bar	220 bar

 TANK CAPACITY				
Diesel tank	70 l	70 l	70 l	70 l
Hydraulic oil tank	50 l	50 l	50 l	50 l

 ELECTRICS				
Voltage	12 V	12 V	12 V	12 V
Battery	100 Ah	100 Ah	100 Ah	100 Ah
Alternator	95 A	95 A	90 A	90 A
Starter	3 kW	3 kW	3 kW	3 kW

 NOISE EMISSIONS				
Noise level (L_{wa}) (as per 2,000/14/EC)	103 dB(A)	103 dB(A)	103 dB(A)	103 dB(A)

STANDARD EQUIPMENT**9001 • 10001+****OPTIONS****9001 • 10001+****GENERAL****Hydraulic front-tipping skip****9001** 3,850 l levelled / 4,700 l heaped**10001+** 4,000 l levelled / 4,850 l heaped**Roll-bar (ROPS)****Speed:** 27 kph (17 mph)**ENGINE****Deutz TCD 2012 watercooled turbo diesel engine****HYDRAULICS****Permanent all-wheel drive****4-speed powershuttle drive, torque converter****Gear pump****Hydrodynamic drive**

with multi-disc brakes on both axles

Hydrostatic articulated frame steering (Load sensing)**CAB****Glazed safety cab** ROPS / FOPS Level II**Cab heating****Windscreen wiper/washing system****Lockable maintenance access****Two doors****Internal storage and tool compartments****CD-radio unit****Drinks holder****PAINT****Special paint 1 RAL**
(for yellow parts only)**Special paint 1 no RAL**
(for yellow parts only)**MISCELLANEOUS****Panolin Bio-Oil****BP-Biohyd SE46****Security 24 (1,500 h)**Warranty extension to 24 months
or 1,500 operating hours**Security 24 (2,000 h)**Warranty extension to 24 months
or 2,000 operating hours**Light** (On-road accessory)**Wheel chock****Cover for dashboard****Trailer socket****Flashing beacon****Reverse alarm****Spare wheel****PACKS****Mirror package**

Left-side/right-side mirrors