

## D 80 ER



Load capacity .....350 kg including 2 people  
Load capacity  
rotation : .....160 kg including 1 person



Working height .....8 m  
Platform floor height .....6 m



Length .....2,50 m  
Width .....0,99 m  
Height .....1,99 m  
Platform size .....2,50 x 0,99 m  
Forward and rear offset .....2,00 m  
Lateral offset .....2,5 m/ 2,69 m  
Ground clearance .....10 cm



Travel speed ..... 0 to 3 km/h  
Number of speeds .....2



Basket rotation .....180°  
Turning radius ins/ outside.. 0,8/ 2,67 m  
2 wheel steer



Battery .....24 V -320 Ah  
Integrated charger .....24 V -40 A



Gradeability .....20%  
Max. slope accepted..... 5% or 3°



Hydraulic tank .....14 l.



Tyres front ..... 18 -7-8/ 14  
Rear.....6-50/ 10  
Inside/ outside use .....wind 45 km/h



Weight.....2320 kg

### Standard equipment

Safety device (unlocking security valves)

Negative brake

Proportional controls

Differential lock

Lifting brackets

Flashing beacon

Hour meter

Warning buzzer in the basket

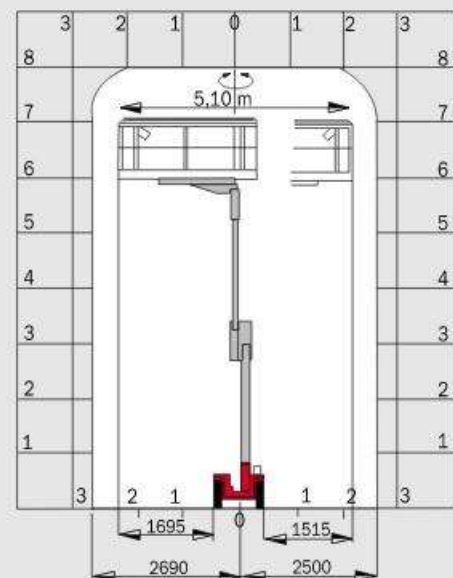
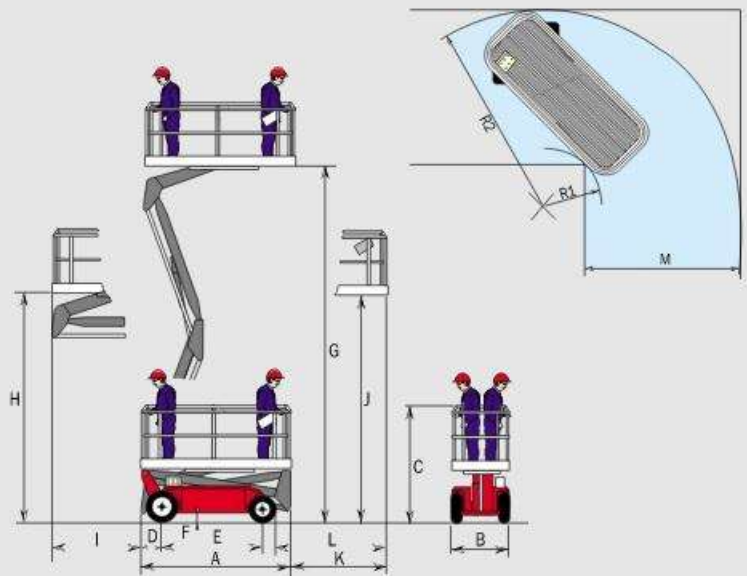
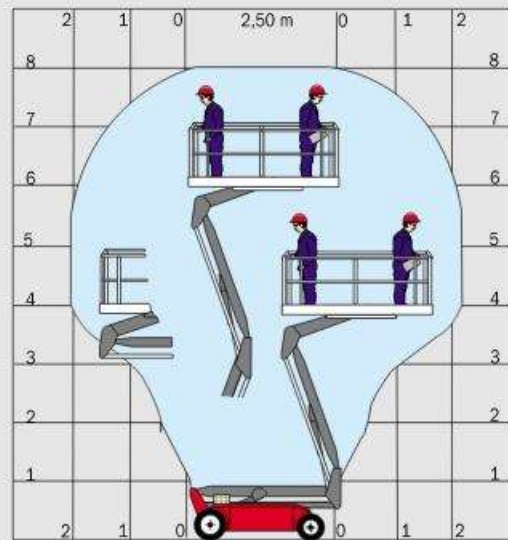
220 V predisposal

Low voltage indicator

### Options

All motion alarm

Non marking tyres



	mm
A	2500
B	990
C	1990
D	350
E	1700
F	100
G	6000
H	3805
I	1533
J	3825
K	1526
L	1751
R1	800
R2	2675
M	2110